

Concept Question 6-4: What determines the gain factors of highpass and lowpass op-amp filters?

The magnitude of the ratio between the feedback impedance and input impedance. See Figs. 6-16 and 6-17:

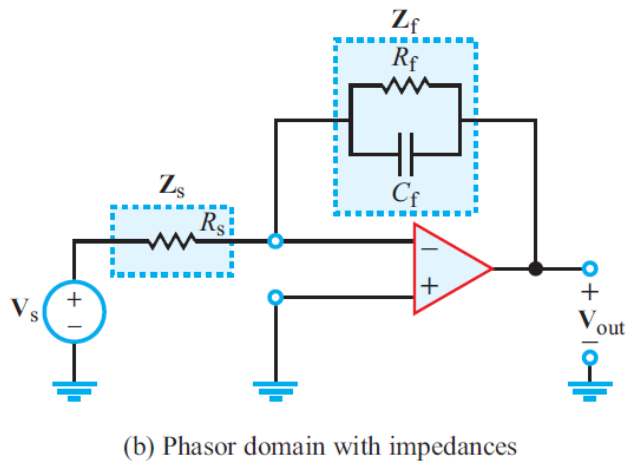
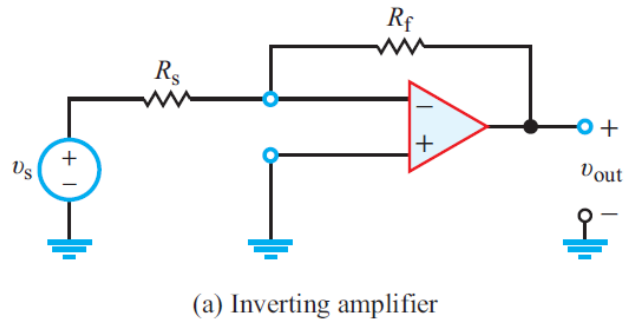


Figure 6-16: Inverting amplifier functioning like a lowpass filter.

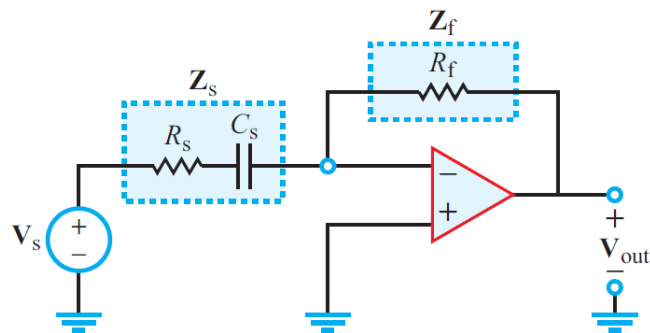


Figure 6-17: Single-pole active highpass filter.